

# LHB2 SERIES INDUSTRIAL LIGHTING

LHB2-50W-30K-WH  
LHB2-50W-40K-WH  
LHB2-50W-50K-WH



Selection:

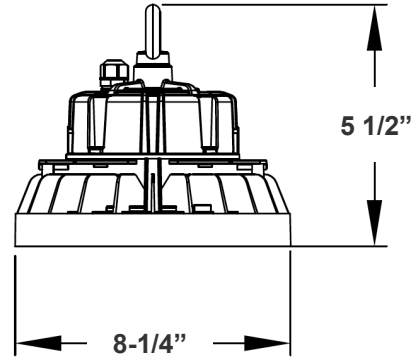


Customer Name: \_\_\_\_\_

Project Name: \_\_\_\_\_

Note: \_\_\_\_\_

Type: \_\_\_\_\_



8 1/4"(Diameter) x 5 1/2" (H)

In an aluminum shell designed for heat dissipation, LHB2 is IP66 water-resistant rated and ideal for general site lighting, alleys, loading docks, doorways, pathways, parking areas, warehouses, and storage buildings.

## Features

- Housing: Aluminum heat sink, White Finish
- PC Reflector Included
- 5-Year Warranty
- Aluminum LED Board: High conductive, waterproof, aging resistant, salt mist resistance, long-life

## Technical Specifications

### Electrical:

- Voltage: 120-277V AC; 60Hz AC
- Power Factor: >0.90
- THD: <20%
- Wattage: 50W
- Efficacy: 130 LPW

### Mechanical:

- Housing: Aluminum Heat Sink, White Finish
- Cord type: 6' SJTW 18/3 AWG Cable
- Operating Temp.: -4°F to 122°F
- Use of Reflector is Optional, Can Be Easily Removed
- Cord Type: 6' SJTW 18, 3 AWG Cable
- Suitable for Wet Locations
- IP66

### Lighting:

- Dimming: 0~10V Dimming
- Aluminum LED Board: High Conductive, Waterproof, Aging Resistant, Salt Mist Resistance, Long-life
- Total Lumen: 6500LM
- Color Rendering Index: CRI ≥ 80
- Beam Angle: 110°
- Rated Life: 50,000 hrs

### Applications:

- Ideal for general site lighting, alleys, loading docks, doorways, pathways, parking areas, warehouses, and storage buildings.

### Other Models:

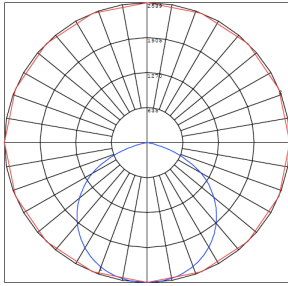
• 50W | 6500LM | LHB2-50W-30K

• 50W | 6500LM | LHB2-50W-40K

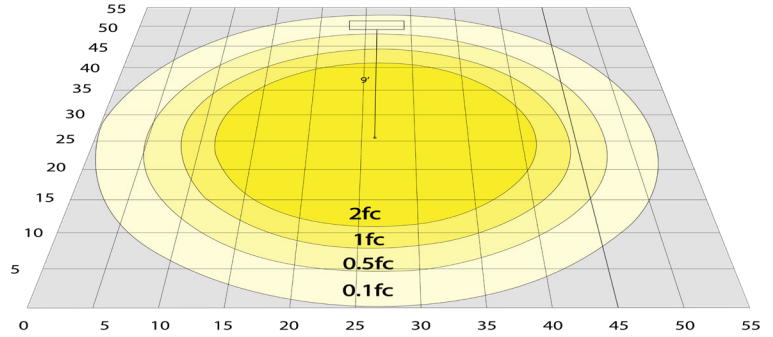
• 50W | 6500LM | LHB2-50W-50K



## Photometrics: LHB2-50W-WH



BUG Rating: B2-U4-G2



Simulation based on 4000K Area 55'x 55' Mounting Height: 9'

## Other Views:



Top View



Front View



Lens View



Shown Without Reflector

## Performance Table: LHB2-50W-WH

| MODEL NO.       | Wattage | Voltage     | Lumens | Color Temp. | BUG Rating | LPW |
|-----------------|---------|-------------|--------|-------------|------------|-----|
| LHB2-50W-30K-WH | 50W     | 120-277V AC | 6500LM | 3000K       | B2-U4-G2   | 130 |
| LHB2-50W-40K-WH | 50W     | 120-277V AC | 6500LM | 4000K       | B2-U4-G2   | 130 |
| LHB2-50W-50K-WH | 50W     | 120-277V AC | 6500LM | 5000K       | B2-U4-G2   | 130 |

## Sample Ordering

**Model**      **Watt**      **Color Temp.**  
 -  -  -   
30K = 3000K  
40K = 4000K  
50K = 5000K

## Factory-Installed Option:

Blank = No Option For Accessories  
 OPT-EM-ULHB = EMERGENCY BACK UP BATTERY FOR LHB2  
 OPT-HBC-125TL-WH = TWIST LOCK CORD 8FT, 15A, 125V,16/3TL,WHT  
 OPT-HBC-277TL-WH = TWIST LOCK CORD 8FT, 15A, 277V,16/3TL,WHT  
 OPT-HBC-125SB-WH = TWIST LOCK CORD 10FT, 15A, 125V,18/3STR,WHT  
 OPT-SEN-ULHB= ULHB-SK

## Example:

- LHB2-50W-4000K (FOR LHB2 50W FIXTURE 120-277V)
- LHB2-50W-4000K OPT-EM-ULHB (FOR LHB2 50W FIXTURE 120-277V) (EMERGENCY BACK UP BATTERY FOR LHB2)

## FACTORY-INSTALLED OPTION:



**OPT-EM-ULHB**  
EMERGENCY BACK UP BATTERY FOR LHB2



**OPT-SEN-ULHB**  
ULHB-SK



**OPT-HBC-125TL-WH**  
TWIST LOCK CORD 8FT, 15A, 125V,16/3TL,BLK



**OPT-HBC-125SB-WH**  
TWIST LOCK CORD 10FT, 15A, 125V,18/3STR,BLK



**OPT-HBC-277TL-WH**  
TWIST LOCK CORD 8FT, 15A, 277V,16/3TL,BLK